

OPERATION AND PARTS MANUAL



Mikasa SERIES
MODEL MT-74FA
TAMPING RAMMER
(ROBIN GASOLINE ENGINE)

EH122D46420

Revision #1 (06/21/05)

To find the latest revision of this
publication, visit our website at:
www.multiquip.com



THIS MANUAL MUST ACCOMPANY THE EQUIPMENT AT ALL TIMES.

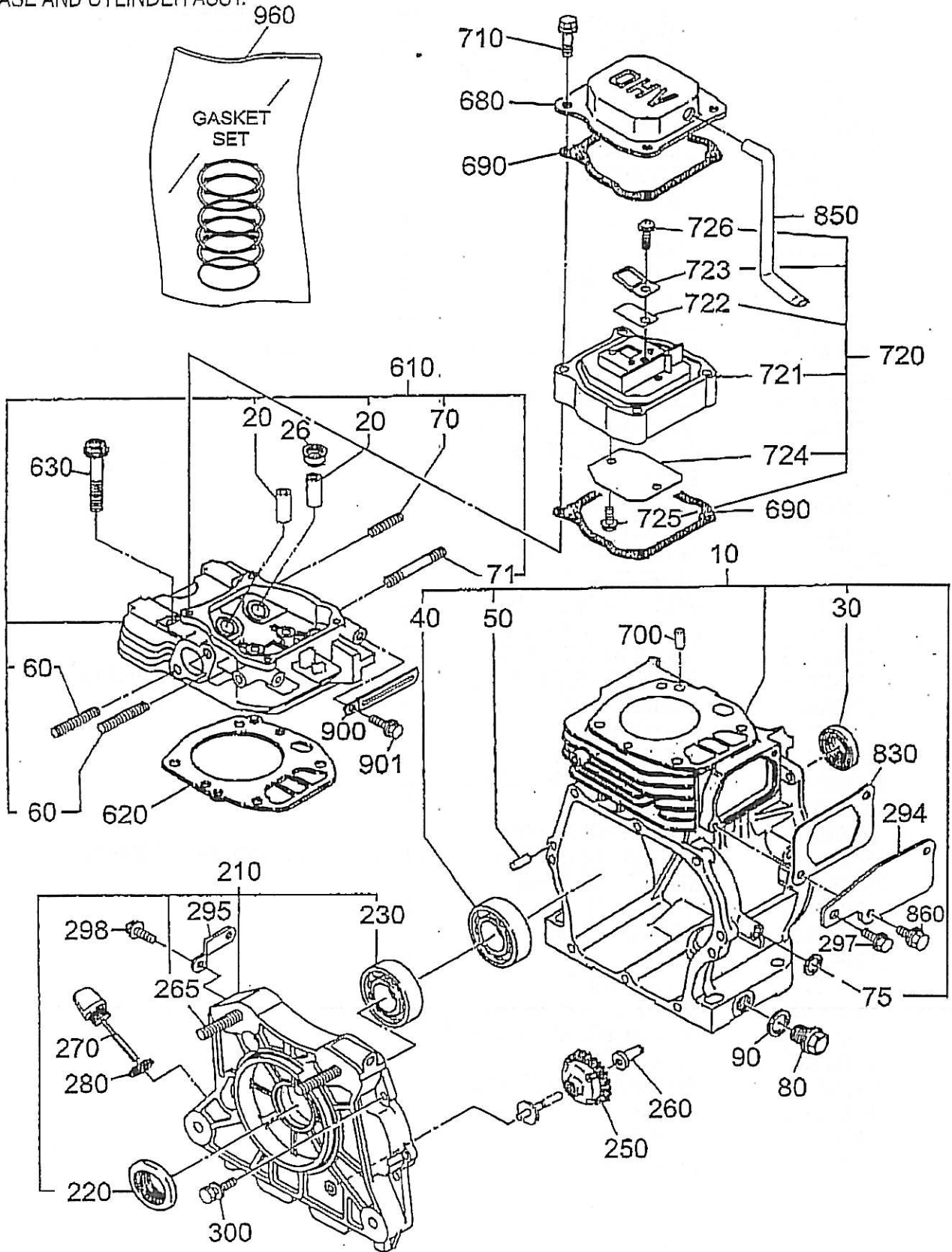
ROBIN EH-12-2D46420 ENGINE — CRANKCASE AND CYLINDER ASSY.

CRANKCASE AND CYLINDER ASSY.

<u>NO.</u>	<u>PART NO.</u>	<u>PART NAME</u>	<u>QTY.</u>	<u>REMARKS</u>
10	2521030131	CRANK CASE	1	INCLUDES ITEMS W/ %
20#	2371420203	VALVE GUIDE, OVERSIZE	2	
26#	2771601001	STEM SEAL	1	
30%	0440250150	OIL SEAL	1	
40%	0600250100	BALL BEARING	1	
50%	0310060020	DOWEL PIN	2	
60#	0105080480	STUD	2	
70#	0105060131	STUD	1	
71#	0013906600	STUD	1	
75%	0440080010	OIL SEAL VC 8X14X4	1	
80	0401140030	PLUG	2	
90	0211140020	GASKET	2	
210	2521110121	MAIN BEARING COVER CP	1	INCLUDES ITEMS W/ \$
220\$	0440250160	OIL SEAL	1	
230\$	0600250010	BALL BEARINGS 6205C3	1	
250	2274500301	GOVERNOR GEAR COMPL	1	
260	2054190103	GOVERNOR SLEEVE	1	
265\$	0108100020	STUD	2	
270	2686360301	OIL GAUGE CP	1	
280	0213160020	GASKET	1	
294	2521700201	BRACKET CP (M.B.C.)	1	
295	2521700101	SUPPORT (M.B.C)	1	
297	0011308160	BOLT & WASHER ASSY	1	
298	0011308160	BOLT & WASHER ASSY	2	
300	0130060200	BOLT & WASHER ASSY	8	
610	2681310121	CYLINDER HEAD CP	1	INCLUDES ITEMS W/ #
620	2531500123	GASKET, HEAD	1	
630	0110080100	FLANGE BOLT	4	
680	2521550203	ROCKER COVER	1	
690	2691600403	GASKET, ROCKER COVER	2	
700	0310060020	DOWEL PIN	2	
710	0110060170	FLANGE BOLT EY45V	4	
720	2521560120	SPACER ASSY, BREATHER	1	INCLUDES ITEMS W/ *
721*	2521560113	SPACER, BREATHER	1	
722*	2521600103	LEAF VALVE	1	
723*	2521610103	RETAINER PLATE	1	
724*	2521440123	PLATE	1	
725*	0110060150	FLANGE BOLT EH11	2	
726*	0043506120	SCREW & WASHER	1	
830	2681620103	GASKET, BREATHER COVER	1	
850	2521800203	RUBBER PIPE	1	
860	0011306160	BOLT AND WASHER ASSY	2	
900	0566000250	CLAMP	1	
901	0110060020	FLANGE BOLT	1	
960	2539900117	GASKET SET	1	

ROBIN EH-12-2D46420 ENGINE — CRANKCASE AND CYLINDER ASSY.

CRANKCASE AND CYLINDER ASSY.



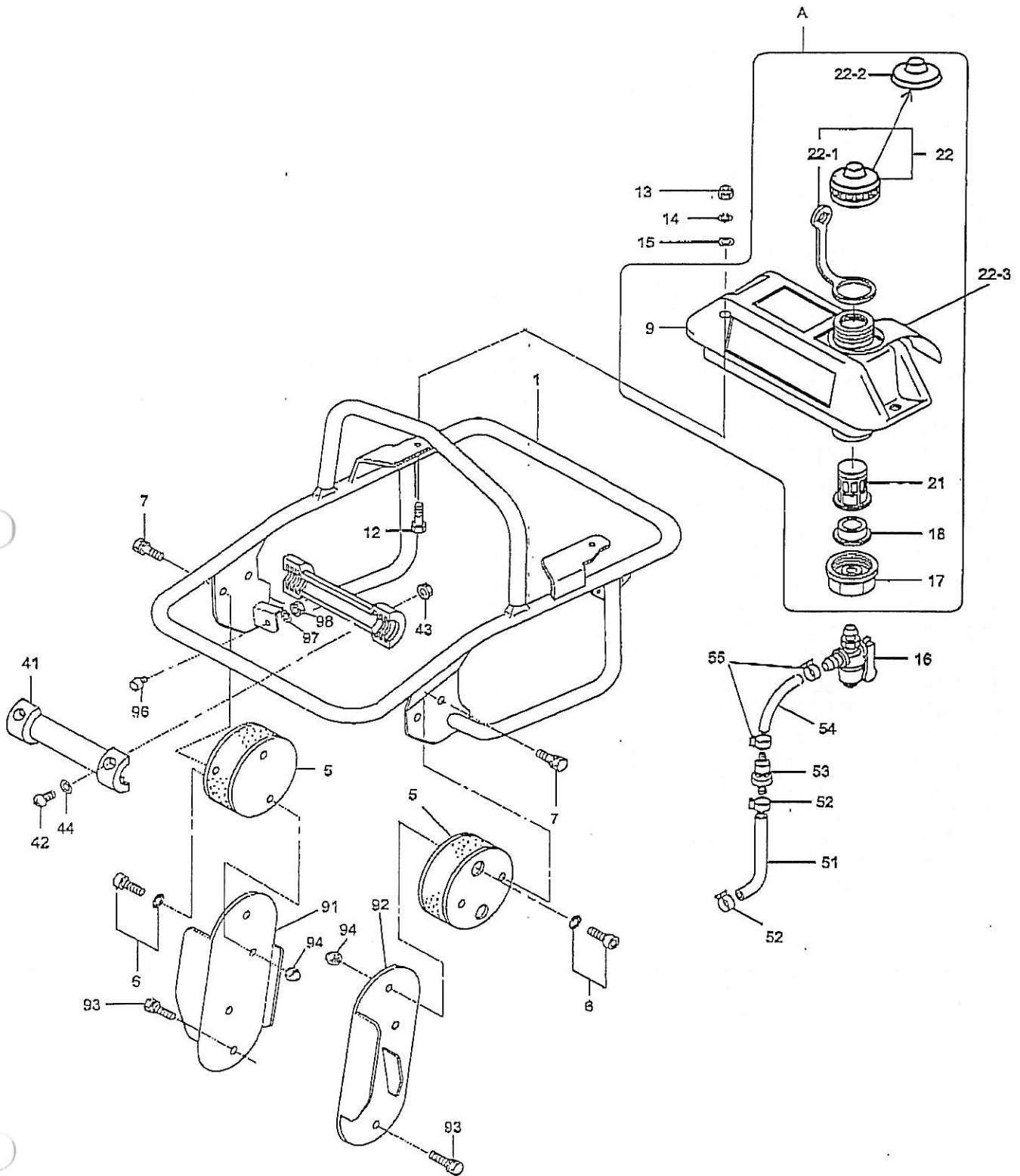
MT-74FA — TANK AND HANDLE ASSY.

TANK AND HANDLE ASSY.

<u>NO</u>	<u>PART NO</u>	<u>PART NAME</u>	<u>QTY.</u>	<u>REMARKS</u>
A	305910032	FUEL TANK ASSY	1	INCLUDES ITEMS W/ #
1	361118300	HANDLE	1	
5	351337070	SHOCK ABSORBER	2	
6	009110007	GT CAP SA, 10X20	4	
7	012210020	BOLT 10X20 H, SW	4	REPLACES 002211020
9#	362116890	FUEL TANK, GRAY	1	
12	011208030	BOLT 8X30 T	2	REPLACES 001220830
13	022710809	NYLON NUT M8	2	
14	030208200	WASHER, SW M8	2	
15	952401450	WASHER 8.5X22X3	2	
16	954300720	FUEL COCK ASSY	1	
17#	351437785	HOLDER, FUEL COCK	1	
18#	954406020	PACKING, COCK FUEL	1	
21#	954406010	STRAINER	1	
22#	361910070	CAP ASSY, TANK	1	INCLUDES ITEM W/ %
22-1#%	353449010	STRAP, FUEL TANK CAP	1	
22-2#%	361455740	SUB CAP (B)	1	
22-3#	920208960	TAG, GASOLINE	1	
41	955200053	ROLLER, W/ PIN	2	
42	091005025	SCREW 5 X 25	4	
43	022610505	FLANGE NUT M5 H	4	
44	031105080	PW M5	4	
51	959021721	FUEL HOSE/D4.5 X D9 X150L	1	
51	950014500150M	FUEL HOSE (1M)	1	
52	950024085008	CLAMP, TUBE	2	
53	26365012A3	FILTER, FUEL	1	
54	959026121	FUEL HOSE/D5.5 X D11.5 X 170L	1	
54	959026199	FUEL HOSE/1M	1	
55	954406420	HOSE BAND 10.5	2	
91	361458840	STAY, SHOCK ABSORBER/R	1	
92	361458850	STAY, SHOCK ABSORBER/L	1	
93	002211025	BOLT 10 X 25 H, SW	4	
94	022131008	CAP NUT M10	4	
96	939010270	STOPPER RUBBER (70)	1	
97	030208200	SW M8	1	
98	020308060	NUT M8	1	

MT-74FA — TANK AND HANDLE ASSY.

TANK AND HANDLE ASSY.



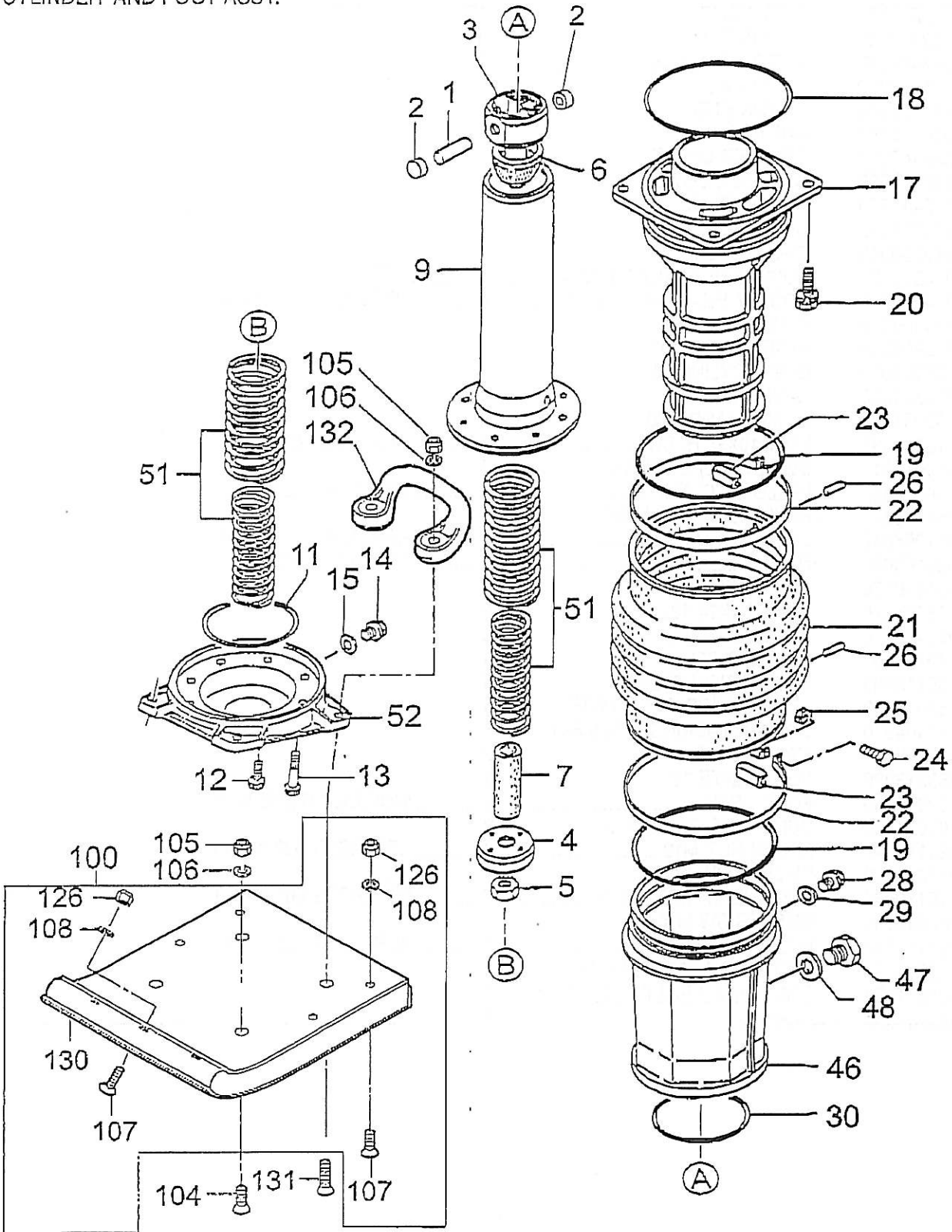
MT-74FA — GUIDE CYLINDER AND FOOT ASSY.

GUIDE CYLINDER AND FOOT ASSY.

NO.	PART NO.	PART NAME	QTY.	REMARKS
1	352423290	PISTON PIN	1	
2	363457870	PISTON PIN PLUG	2	
3	361344360	PISTON ROD	1	
4	355452340	PISTON END	1	
5	020118150	NUT M18, P1.5	1	
6	355447250	STOPPER UPPER	1	
7	355447260	STOPPER, LOWER	1	
8	355447270	MAIN SPRING	2	
9	355334310	SPRING CYLINDER	1	
11	050100900	O-RING G-90	1	
12	014210020	SOCKET HEAD BOLT 10X20 T	4	REPLACES 001521020
13	014210040	SOCKET HEAD BOLT 10X40 T	4	REPLACES 001521040
14	953405270	PLUG 1/4X14 13L	1	
15	953405260	PACKING 1/4 (CU)	1	
17	355213010	GUIDE CYLINDER	1	
18	050201500	O-RING P-150	1	
19	050931500	O-RING JASO3150	2	
20	012710035	BOLT 10X35 H, SW	4	REPLACES 002211035
21	354010010	BELLOWS(L) ORANGE	1	
22	354336352	BELLOWS CLAMP	2	REPLACES 354329380
23	354442340	BAND GUIDE, BELLOWS	2	
24	011008040	BOLT 8X40 H	2	REPLACES 001220840
25	020108060	NUT M8	2	REPLACES 020308060
26	354446170	PIN 6D-8.5L	2	
28	953405270	PLUG 1/4X14 13L	2	
29	953405260	PACKING 1/4 (CU)	2	
30	050100950	O-RING G-95	1	
46	355113960	PROTECTION SLEEVE	1	
47	959010150	LEVEL GAUGE, PLUG TYPE	1	
48	953404670	COPPER PACKING 17X25.5X1	1	
51	355447270	MAIN SPRING	2	
52	355213000	FOOT PLATE 16	1	
100	362910130	FOOT ASSY	1	INCLUDES ITEMS W/ *
104	001611253	SUNK HEAD BOLT 12 X65 H	2	
105	021112140	NYLON NUT M12	4	REPLACES 022711214
106	030212300	WASHER SW M12	4	
107*	015110055	SUNK HEAD BOLT 10X55 H	7	REPLACES 001611051
108*	030210250	WASHER SW M10	7	
126*	021110120	NYLON NUT M10	7	REPLACES 022711012
130*	362910130	FOOT ASSY 285W-SF-EXP	1	
131	001611259	SUNK HEAD BOLT 12X95 H	2	
132	363343390	HANDLE	1	

MT-74FA—GUIDE CYLINDER AND FOOT ASSY.

GUIDE CYLINDER AND FOOT ASSY.

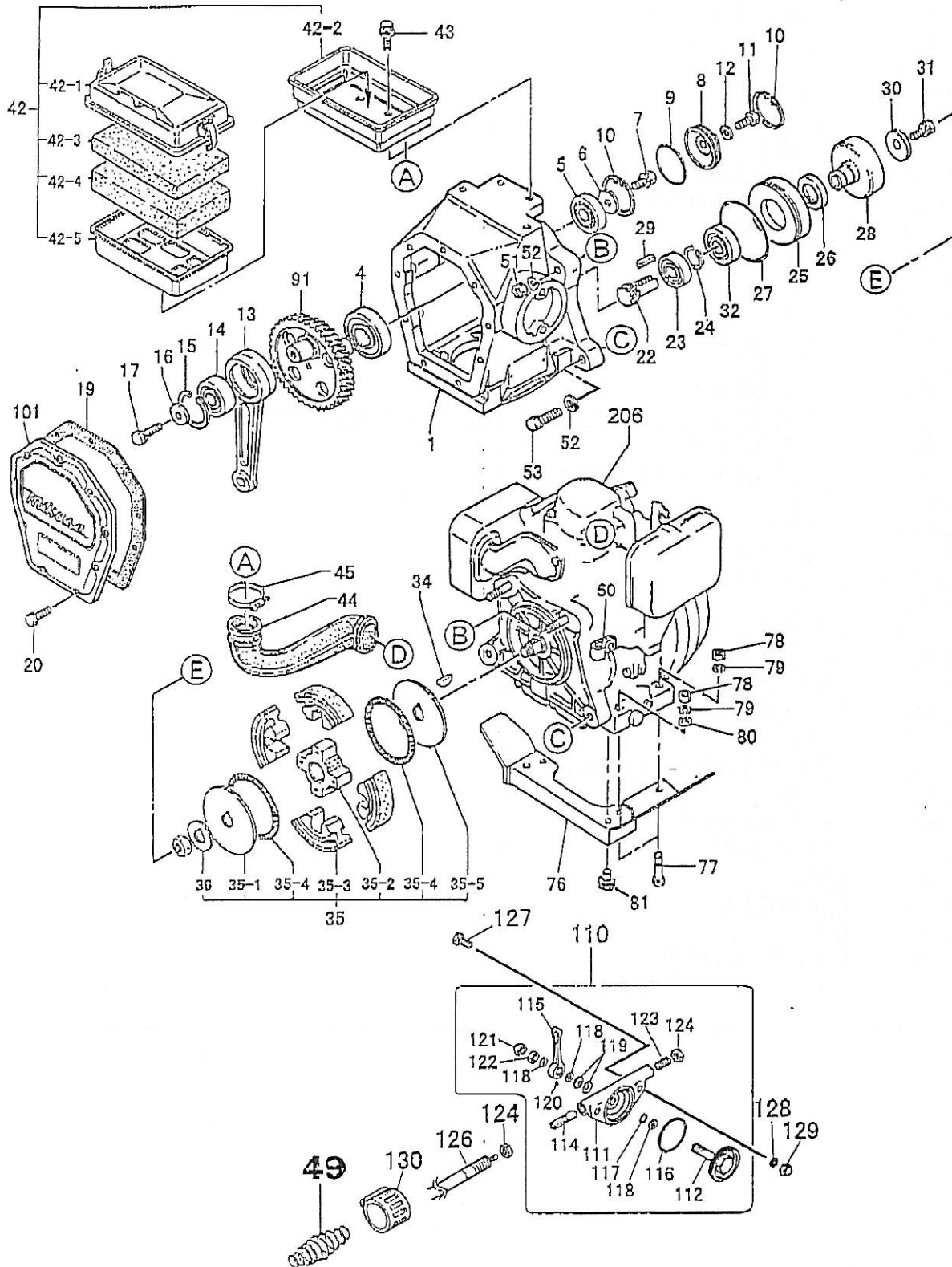


MT-74FA — CRANKCASE AND ENGINE ASSY.

CRANKCASE AND ENGINE ASSY. CONTINUED

<u>NO</u>	<u>PART NO</u>	<u>PART NAME</u>	<u>QTY.</u>	<u>REMARKS</u>
43	002200820	BOLT 8X20 H, SW	4	
44	361336010	INTAKE PIPE	1	
45	954010230	HOSE BAND (B)	1	
49	0830000010	COIL SPRING	1	
50	959006120	CLIP	1	
51	020310080	NUT M10	2	
52	030210250	SW M10	4	
53	001221050	BOLT 10X50 H, SW	2	
76	361214201	UNDER PROTECTOR	1	
77	001220840	BOLT 8X40 T	3	
78	020308060	NUT M8	3	
79	030208200	SW M8	3	
80	031108160	PW M8	3	
81	0011308180	BOLT AND WASHER ASSY	2	
91	361335870	CRANK GEAR	1	
101	361010030	FRONT COVER	1	
110	362910060	THROTTLE LEVER ASSY	1	INCLUDES ITEMS W/ %
111%	362341550	THROTTLE BODY	1	
112%	362910090	THROTTLE GEAR CP, W/ BOLT	1	
114%	362455620	SLIDER	1	
115%	362455630	THROTTLE LEVER	1	
116%	050100450	O-RING G-45	1	
117%	050200100	O-RING P-10	1	
118%	031110160	PW M10	3	
119%	033910070	CONICAL SPRING WASHER	2	
119	032110180	CONICAL SPRING WASHER M10	2	
120%	096206006	SOCKET HEAD SCREW 6 X 6	1	
121%	022131008	CAP NUT M10	1	
122%	020410060	NUT M10	1	
123%	096208020	SOCKET HEAD SCREW 8X20	1	
124	020408050	NUT M8	2	
126	956100045	THROTTLE WIRE	1	
127	001220620	BOLT 6X20 T	2	
128	030206150	SW M6	2	
129	022130605	CAP NUT M6	2	
130	303010450	BAND	1	
206	911211214	ENGINE, EH-12-2D	1	

MF74FA — CRANKCASE AND ENGINE ASSY.



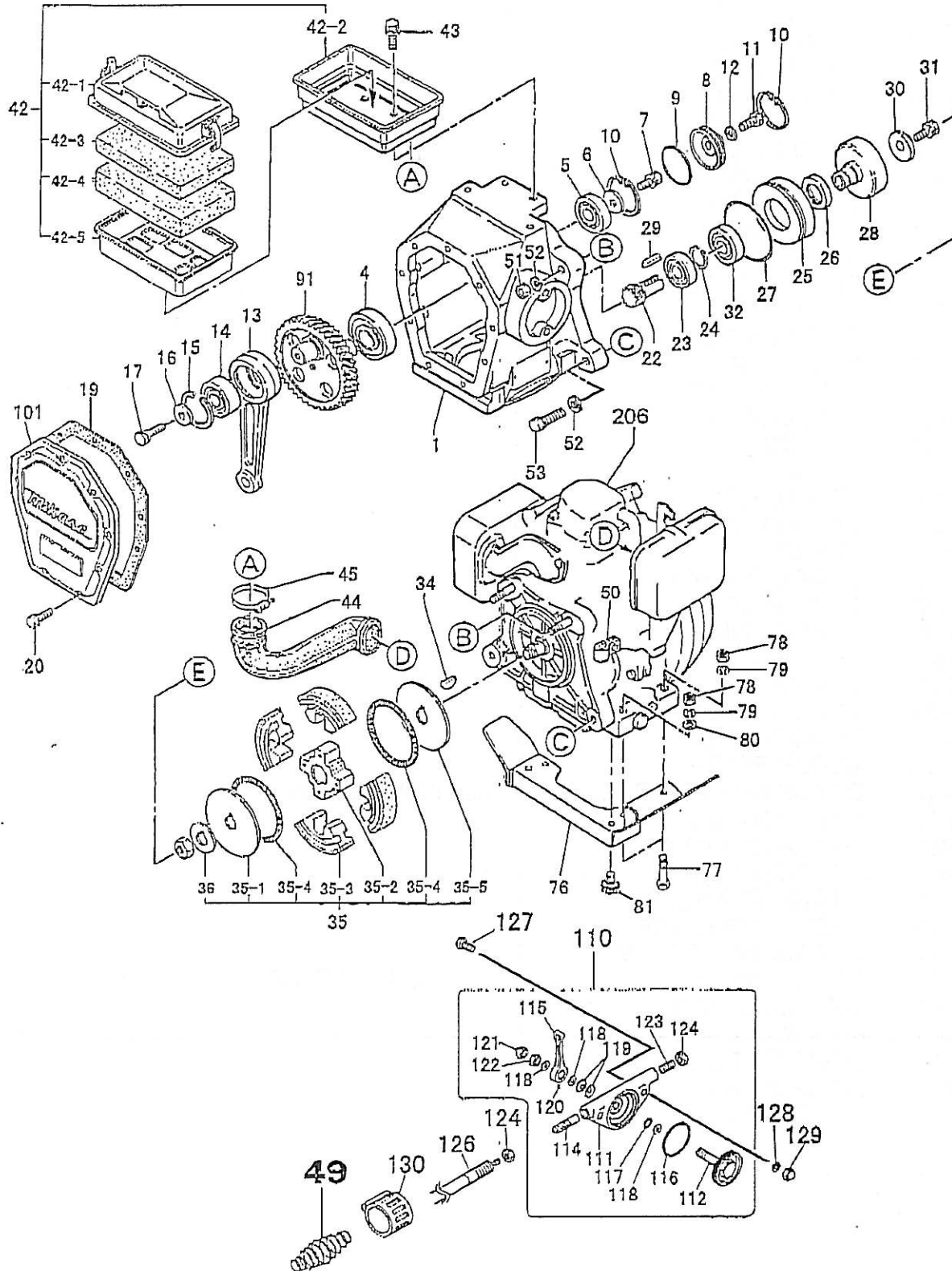
MT-74FA — CRANKCASE AND ENGINE ASSY.

CRANKCASE AND ENGINE ASSY.

NO.	PART NO.	PART NAME	QTY.	REMARKS
1	361118270	CRANK CASE	1	
4	040006207	BEARING 6207	1	
5	040006204	BEARING 6204	1	
6	952400130	WASHER 9304	1	
7	002210825	BOLT 8X25 H, SW	1	
8	371447650	BEARING COVER	1	
9	050300480	O-RING S-48	1	
10	080100480	STOP RING R-48	2	
11	001220610	BOLT 6X10 T	1	
12	031106100	WASHER M5	1	
13	371334730	CONNECTING ROD	1	
14	040006304	BEARING 6304	1	
15	080100520	STOP RING R-52	1	
16	952400130	WASHER 9304	1	
17	002210825	BOLT 8X25 H, SW	1	
19	352444450	PACKING, FRONT COVER	1	
20	002200620	BOLT 6X20 H, SW	9	
22	361449320	PINION	1	
23	040006204	BEARING 6204	1	
24	080200350	STOP RING S-35	1	
25	371449600	SPACER	1	
26	060404010	OIL SEAL TC-40528	1	
27	050101000	O-RING G-100	1	
28	361449330	CLUTCH DRUM	1	
29	951407340	KEY 5X5X20R	1	
30	952405490	LOCK WASHER	1	
31	002210820	BOLT 8X20 H, SW	1	
32	041006007	BEARING 6007Z	1	
34	0053204201	WOODRUFF KEY	1	
35	362454441	CLUTCH ASSY CE120P	1	INCLUDES ITEMS W/ *
35-1*	943060020	CLUTCH GUIDE/B	1	
35-2*	943050050	CLUTCH BOSS C812	1	
35-3*	943020020	CLUTCH SHOE C812	4	
35-4*	943030021	CLUTCH SPRING C812	2	
35-5*	943060100	CLUTCH GUIDE/A 1.6T	1	
36*	301010210	LOCK WASHER, CLUTCH	1	
42	361213800	AIR CLEANER ASSY	1	INCLUDES ITEMS W/ #
42-1#	354030011	BODY W-CLEANER	1	
42-2#	361010020	BACK PLATE CP	1	
42-3#	354030030	ELEMENT, YELLOW	1	
42-4#	354030040	ELEMENT, GRAY	1	
42-5#	354030050	ELEMENT FRAME	1	

MT-74FA — CRANKCASE AND ENGINE ASSY.

CRANKCASE AND ENGINE ASSY.



ROBIN EH-12-2D46420 ENGINE — CARBURETOR ASSY.

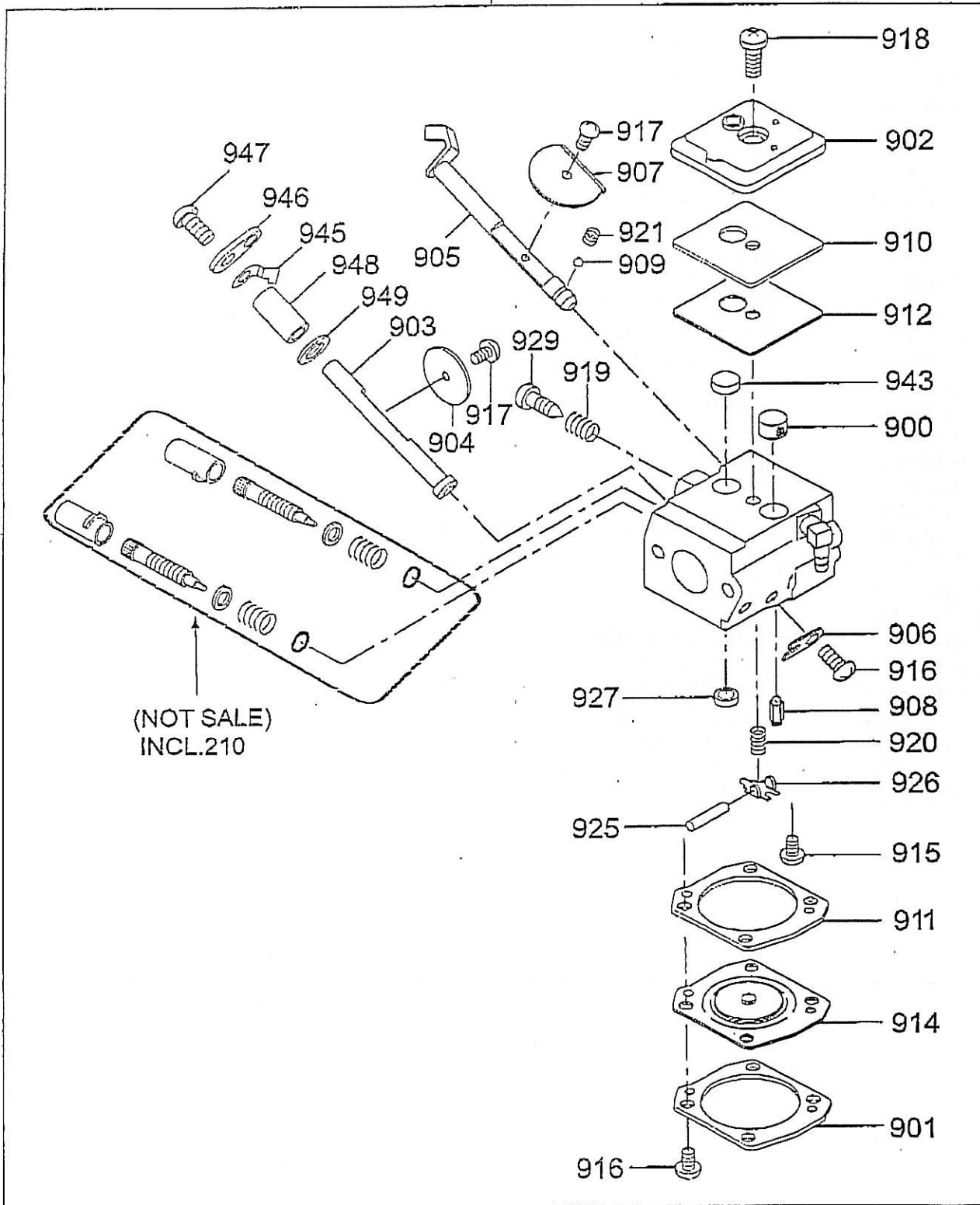
CARBURETOR ASSY.

NO	PART NO	PART NAME	QTY.	REMARKS
210	2526257000	CARBURETOR ASSY.	1	INCLUDES ITEMS W/ *
900*	5016004010	SCREEN INLET	1	
901*	2526260508	COVER, METALLING DIAPHRAGM	1	
902*	2526260408	COVER PUMP	1	
903*	2526261208	THROTTLE SHAFT	1	
904*	1616233508	VALVE THROTTLE	1	
905*	2846260308	SHAFT ASSY CHOKE	1	
906*	5106045040	CLIP	1	
907*	2846260408	VALVE, CHOKE	1	
908*	1616255208	VALVE, INLET NEEDLE	1	
909*	1476258408	BALL	1	
910*	1616238008	GASKET PLUG	1	
911*	1616238108	GASKET, METALLING DIAPHRAGM	1	
912*	2526261008	DIAPHRAGM PUMP	1	
914*	1616238308	DIAPHRAGM ASSY, METALLING	1	
915*	1066257508	SCREW	1	
916*	1066257608	SCREW ASSY	5	
917*	1476257308	SCREW	2	
918*	2846260008	SCREW	1	
919*	1616245408	SPRING, IDLE ADJUST	1	
920*	1616245108	SPRING, METALLING LEVER	1	
921*	1476258308	SPRING, CHOKE	1	
925*	1616236808	PIN, METALLING LEVER	1	
926*	1616236908	LEVER, METALLING	1	
927*	1476257508	PLUG	1	
929*	1616238508	SCREW, IDLE ADJUST	1	
943*	2526261108	SPRING PUMP	1	
945*	1616255108	STOPPER, THROTTLE	1	
946*	2526260308	LEVER, THROTTLE	1	
947*	1616255308	SCREW VALVE	2	
948*	2526260208	SPACER, THROTTLE LEVER	1	
949*	2526260108	WASHER	1	

ROBIN EH-12-2D46420 ENGINE — CARBURETOR ASSY.

CARBURETOR ASSY.

210 252-62570-00



(NOT SALE)
INCL.210

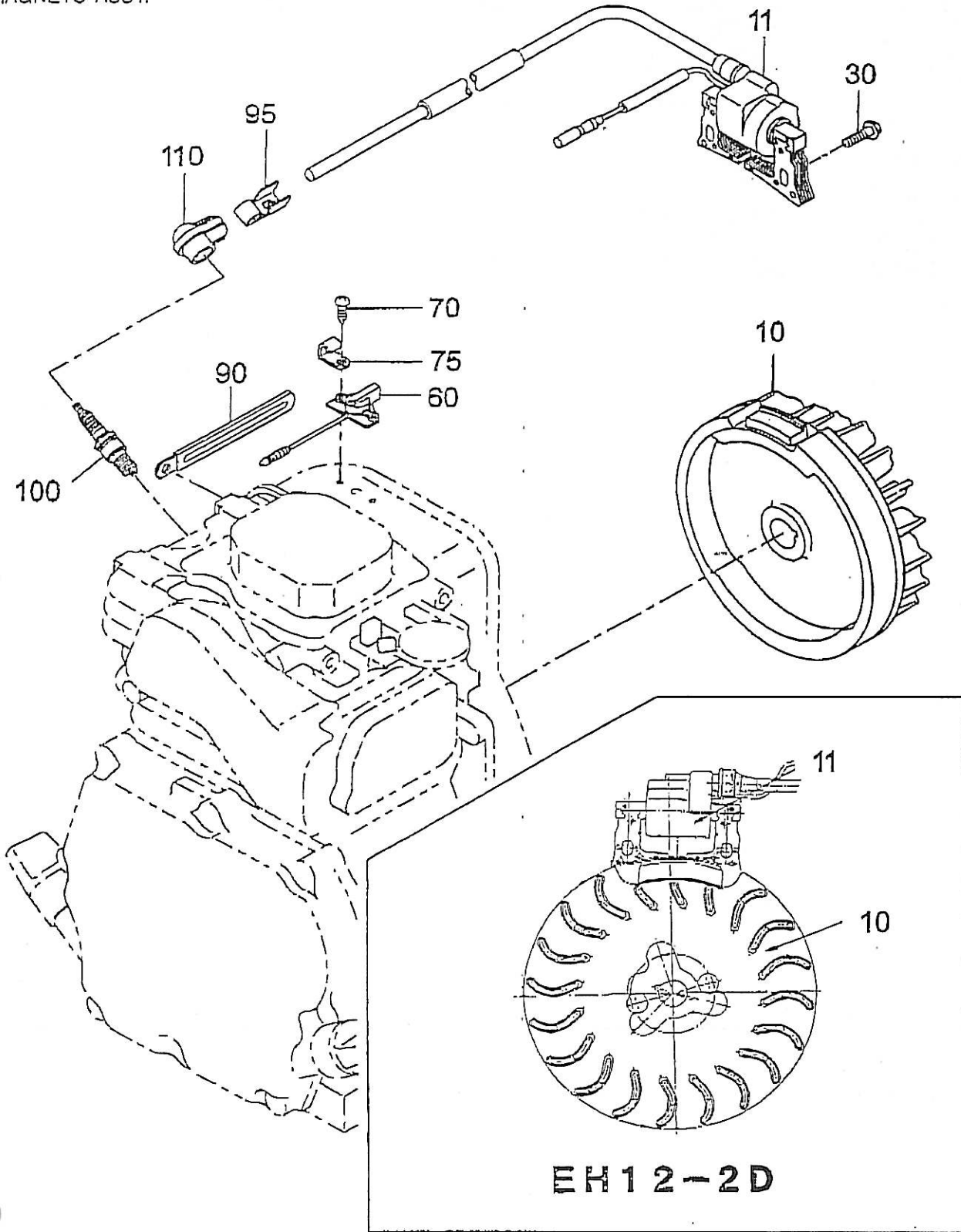
ROBIN EH-12-2D46420 ENGINE — MAGNETO ASSY.

MAGNETO ASSY.

<u>NO</u>	<u>PART NO</u>	<u>PART NAME</u>	<u>QTY.</u>	<u>REMARKS</u>
10	2687933201	FLYWHEEL CP	1	
11	2697943011	IGNITION COIL CP	1	
30	0011406250	BOLT & WASHER ASSY	2	
60	0660000371	STOP SWITCH ASSY (ON-OFF)	1	
70	0150040090	TAPPING SCREW	2	
75	0566030010	CLAMP	1	
90	0566000250	CLAMP	1	
95	0659000010	SPARK PLUG CLIP	1	
100	0650140580	SPARK PLUG, BR6ES	1	
110	2307510113	SPARK PLUG CAP	1	

ROBIN EH-12-2D46420 ENGINE — MAGNETO ASSY.

MAGNETO ASSY.



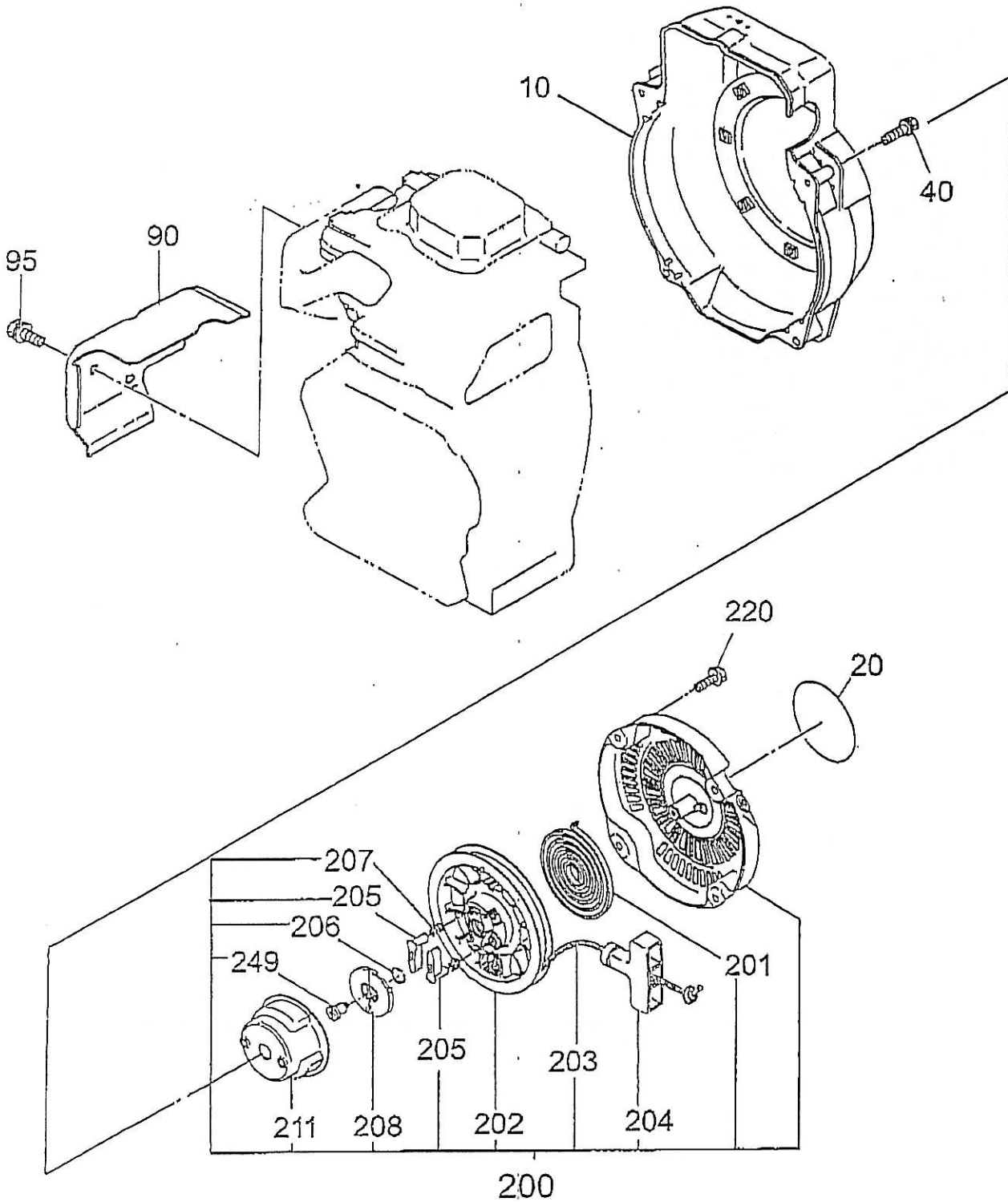
ROBIN EH-12-2D46420 ENGINE —RECOIL STARTER AND BLOWER ASSY.

RECOIL STARTER AND BLOWER ASSY.

<u>NO.</u>	<u>PART NO.</u>	<u>PART NAME</u>	<u>QTY.</u>	<u>REMARKS</u>
10	2525165221	BLOWER HOUSING CP 2	1	
20	920100240	DECAL, M-MARK	1	
40	0011406550	BOLT & WASHER ASSY	4	
90	2685270303	HEAD COVER	1	
95	0110060140	FLANGE BOLT	2	
200	2685020130	RECOIL STARTER ASSY,.....	1	INCLUDES ITEMS W/*
201*	2705011508	SPIRAL SPRING	1	
202*	2695012008	REEL	1	
203*	2695011008	STARTER ROPE	1	
204*	2615010008	STARTER KNOB	1	
205*	2705012508	RATCHET	2	
206*	2275013108	FRICTION SPRING	1	
207*	2275013508	RETURN SPRING	2	
208*	2705026108	RATCHET GUIDE	1	
211*	2685014508	STARTER PULLEY	1	
220	0110060010	FLANGE BOLT	4	
249*	2275015208	SET SCREW	1	

ROBIN EH-12-2D46420 ENGINE — RECOIL STARTER AND BLOWER ASSY.

RECOIL STARTER AND BLOWER ASSY.



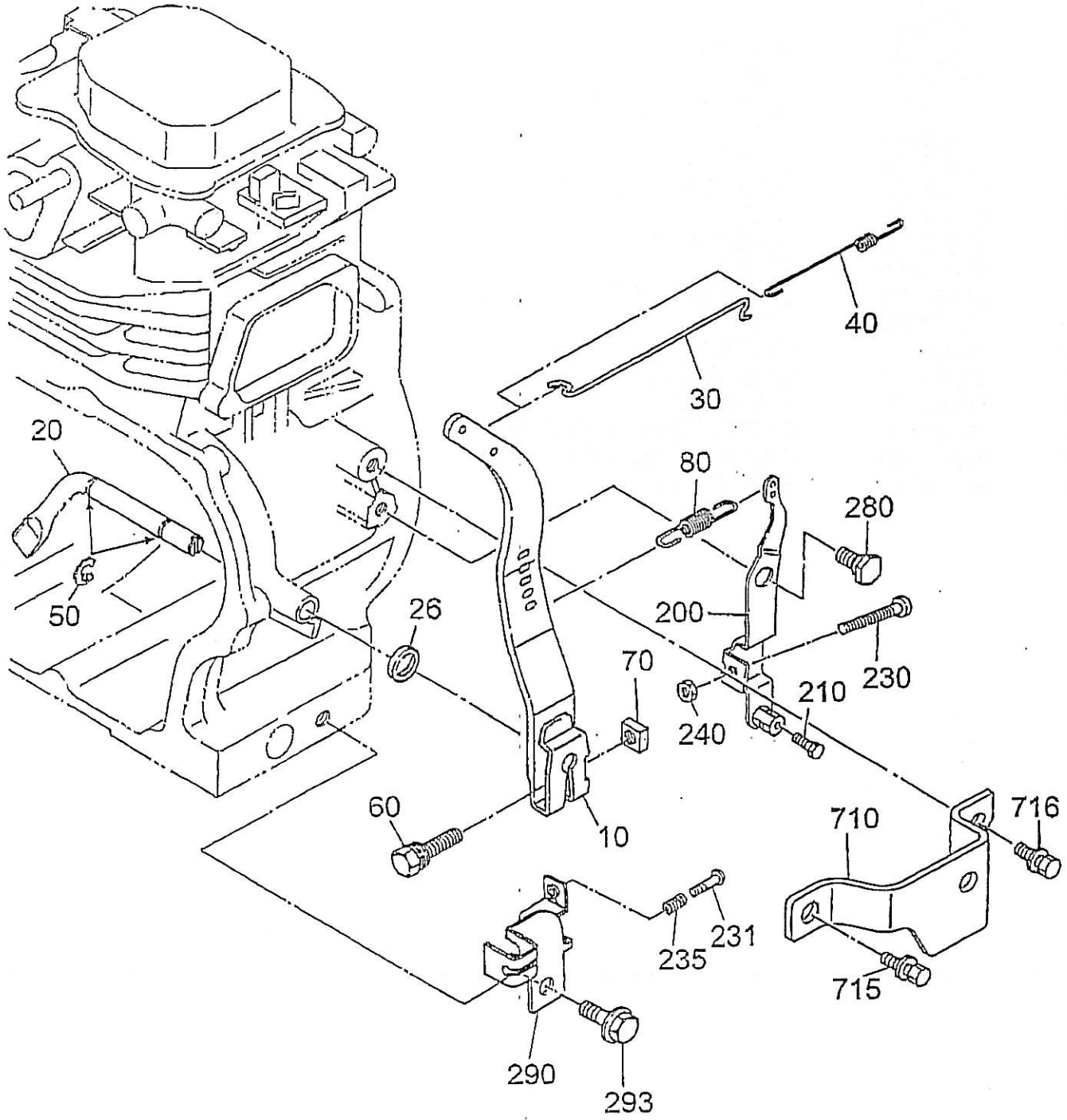
ROBIN EH-12-2D46420 ENGINE — GOVERNOR ASSY.

GOVERNOR ASSY.

<u>NO.</u>	<u>PART NO.</u>	<u>PART NAME</u>	<u>QTY.</u>	<u>REMARKS</u>
10	2524230303	GOVERNOR LEVER CP	1	
20	2264230207	GOVERNOR SHAFT	1	REPLACES 2274220103
26	0031108000	WASHER	1	
30	2544270101	GOVERNOR ROD CP	1	
40	2544280103	ROD SPRING	1	
50	0031306000	CLIP	2	
60	0011406300	BOLT & WASHER ASSY	1	
70	0186060020	NUT	1	
80	2524250323	GOVERNOR SPRING	1	
200	2524340230	SPEED CONTROL ASSY	1	
210	0116040030	BOLT	1	
230	0043105250	SCREW, PANHEAD	1	
231	0043104250	SCREW	1	
235	2684500113	CONTROL SPRING	1	
240	0021705000	NUT	1	
280	2264310101	LINK PIVOT	1	
290	2524420213	WIRE BRACKET	1	
293	0110060030	FLANGE BOLT	1	
710	2524280111	PROTECTOR CP, GOVERNOR	1	
715	0011308160	BOLT & WASHER ASSY	1	
716	0110060030	FLANGE BOLT	1	

ROBIN EH-12-2D46420 ENGINE — GOVERNOR ASSY.

GOVERNOR ASSY.



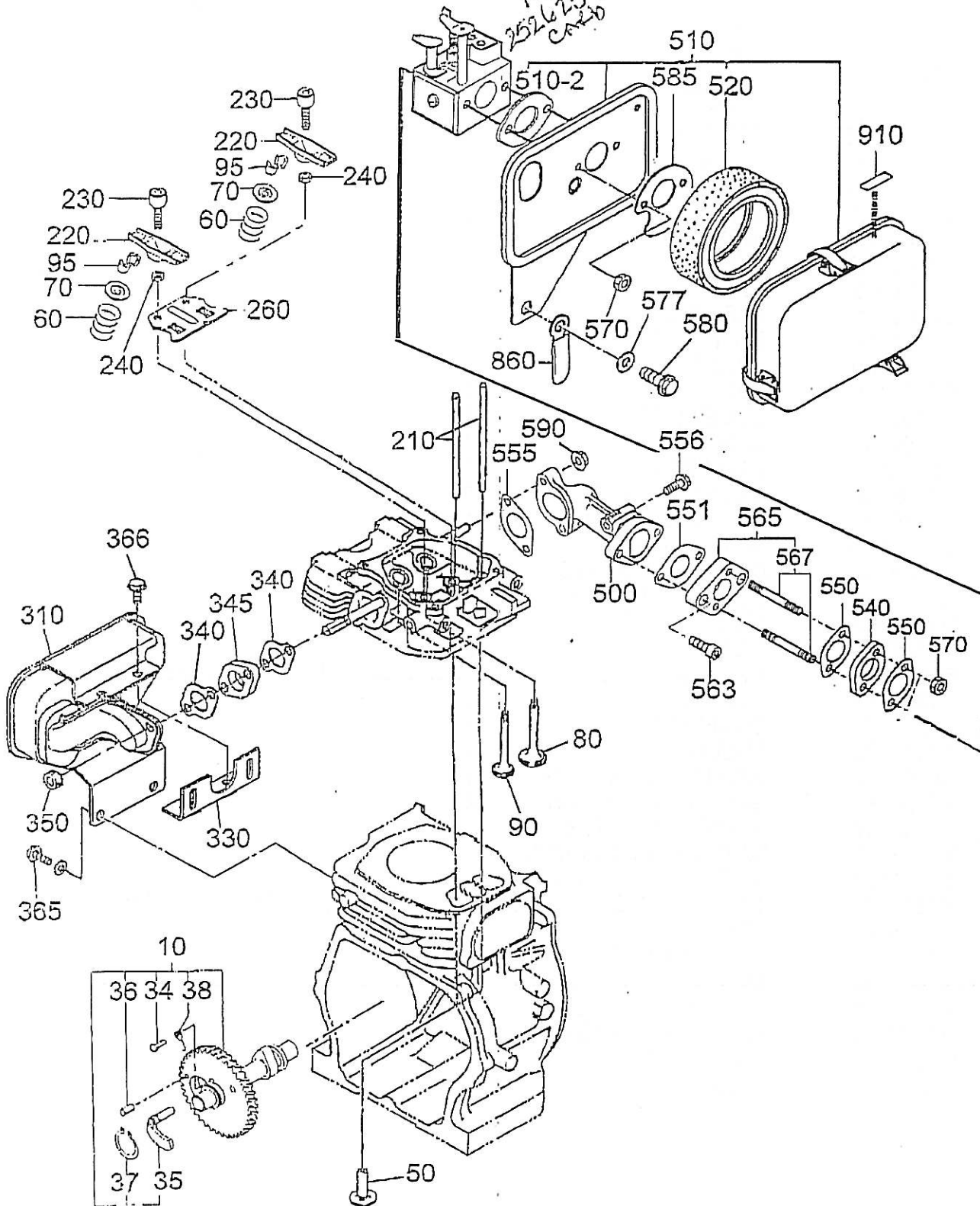
ROBIN EH2-2D46420 ENGINE — MUFFLER, AIR CLEANER, CAM & CARB. ASSY.

MUFFLER, AIR CLEANER, CAMSHAFT & CARBURETOR ASSY.

NO.	PART NO.	PART NAME	QTY.	REMARKS
10	2533170111	CAMSHAFT CP	1	INCLUDES ITEMS W/ *
34*	2273860123	PIN (SPRING)	1	
35*	2273640113	RELEASE LEVER	1	
36*	0051904100	SPRING PIN	1	
37*	0031522000	SNAP RING	1	
38*	2273870103	RETURN SPRING	1	
50	2393330113	TAPPET	2	
60	2533360103	VALVE SPRING	2	
70	2693370103	SPRING RETAINER	2	
80	2683340103	INTAKE VALVE	1	
90	2683350103	EXHAUST VALVE	1	
95	13210KA031	COLLECT VALVE	4	
210	2683530103	PUSH ROD	2	
220	2693600103	ROCKER ARM	2	
230	2693580103	BOLT, PIVOT	2	
240	0170060090	NUT	2	
260	2693650103	GUIDE PLATE	1	
310	2523040111	MUFFLER CP	1	
330	2523700111	BRACKET CP	1	
340	2533520103	GASKET, MUFFLER	2	
345	2523650103	SPACER, EXHAUST	1	
350	0176080020	SELF-LOCK NUT	2	
365	0011308160	BOLT & WASHER ASSY	2	
366	0011408160	BOLT & WASHER 8 X 16	2	
500	2683300413	INTAKE PIPE CP	1	
505	0105060230	STUD	2	
510	2683271500	AIR CLEANER ASSY	1	INCLUDES ITEMS W/ \$
510-2\$	1063272308	PACKING	1	
520\$	2523260207	ELEMENT, SET	1	
540	2523290103	INSULATOR	1	
550	1066500203	GASKET (CARBURETOR)	1	
551	2373590303	GASKET 2 (INSULATOR)	2	
555	2823590103	GASKET (INSULATOR)	1	
556	0011406400	BOLT AND WASHER ASSY	1	
563	0119060020	BOLT (SOCKET HEAD)	2	
565	2523310221	INTAKE FLANGE	1	INCLUDES ITEM W/ #
567#	0105050060	STUD	2	
570	0176050010	SELF LOCK NUT	2	
577	0200080080	WASHER	1	
580	0011308160	BOLT & WASHER ASSY	1	
585	2683650303	PLATE, AIR CLEANER	2	
590	0023806000	FLANGE NUT	2	
860	0566000250	CLAMP	1	
910	0732005020	LABEL CHOKE	1	

ROBIN EH-12-2D46420 ENGINE - MUFFLER, AIR CLEANER, CAM & CARB. ASSY.

MUFFLER, AIR CLEANER, CAMSHAFT & CARBURETOR ASSY. *PG 46
252625
CARB*



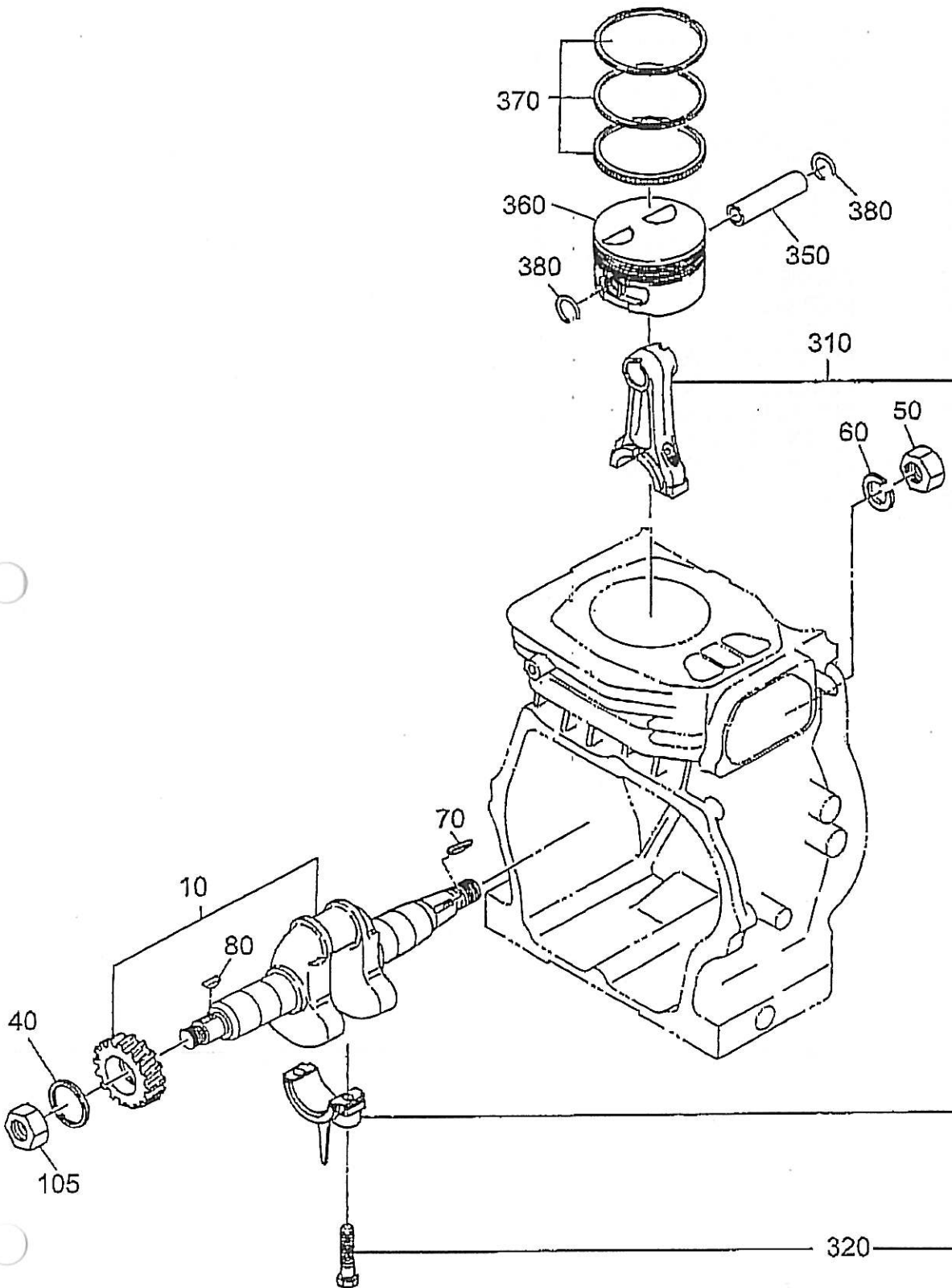
ROBIN EH-12-2D46420 ENGINE — CRANKSHAFT AND PISTON ASSY.

CRANKSHAFT AND PISTON ASSY.

<u>NO.</u>	<u>PART NO.</u>	<u>PART NAME</u>	<u>QTY.</u>	<u>REMARKS</u>
10	6821901111	CRANKSHAFT CP	1	
40	0230250110	SPACER T=0.6	1	SELECT
40	0230250120	SPACER T=0.8	1	SELECT
40	0230250130	SPACER T=1.0	1	SELECT
50	0021814000	NUT	1	
60	0032014000	SPRING WASHER	1	
70	0823030010	WOODRUFF KEY	1	
80	0053204201	WOODRUFF KEY	1	
105	0173120010	LOCK NUT	1	
310	2522250110	CONNECTING ROD ASSY	1	INCLUDES ITEM W/ *
320*	2362300103	CONNECTING ROD BOLT	2	
350	2682330103	PISTON PIN	1	
360	2682340103	PISTON STD.	1	
360	2682340203	PISTON O.S. 0.25MM	1	
360	2682340303	PISTON O.S. 0.50MM	1	
370	2522350117	PISTON RING SET STD	1	
370	2522350217	PISTON RING SET 0.25 O.S.	1	
370	2522350307	PISTON RING SET 0.50 O.S.	1	
380	2152500403	CLIP	2	

ROBIN EH-12-2D46420 ENGINE — CRANKSHAFT AND PISTON ASSY.

CRANKSHAFT AND PISTON ASSY.



MT-74FA— NAMEPLATE AND DECAL

NAME PLATE AND DECALS

<u>NO</u>	<u>PART NO</u>	<u>PART NAME</u>	<u>QTY</u>	<u>REMARKS</u>
1	920202930	DECAL: START SWITCH	1	NPA293
2	920206020	DECAL: 3400 ~ 3600 RPM	1	NPA602
3	920106460	DECAL: MIKASA	1	
4	920210160	DECAL: SERVICE MONTHLY	1	NPA1016
5	920108310	DECAL: CLEANER ELEMENT	1	NPA-831
8	920203290	DECAL: CAUTION	1	NPA329
9		PLATE, SERIAL NO.	1	CONTACT MQ SERVICE DEPT. W/ MODEL & S/N
10	920107000	DECAL: PRE-CLEANER	1	NP700
11	920204370	DECAL: PRE-CLEANER	1	NPA437
12	920209750	DECAL: CAUTION 4 CYCLE	1	NPA975
13	920203330	DECAL: EAR PROTECTION	1	NPA333
14	920203990	DECAL: CAUTION (FUEL COCK)	1	NPA399
16	920203980	DECAL: ELEMENT SET	1	NPA398
17	920207690	DECAL: CAUTION (MANUAL)	1	NPA769
18	920210170	DECAL: GASOLINE ONLY	1	NPA1017
19	920208960	TAG, GASOLINE	1	NPA896
20	920210180	DECAL, CHECK DAILY (FILTER)	1	NPA1018
21	920209100	DECAL, CAUTION (RAMMER)	1	NPA910
22	920100240	DECAL (M-MARK)	1	NP24
100	0732004450	LABEL, CAUTION	1	
101	0732004520	LABEL, OIL CAUTION	1	
102	0732003900	LABEL, WARNING	1	
103	0732005020	LABEL, CHOKE	1	